

# A241

## MEMS sensor of metal diaphragm

### FEATURES

- Superior Long term Stability
- Provides a high level output
- Linear Amplified Output
- Excellent Repeatability & Hysteresis
- Temperature Compensated
- EMI/RFI Protection
- Customizable



The A241 series uses a glass-bonded stainless steel diaphragm as the sensing element, providing excellent resistance to most liquids and chemicals when mounted. Ruggedness and reliability are also enhanced by a stainless steel housing to resist corrosion pressure sealing for media compatibility is provided by selection of Non-welding Sealing type. Metal sensing element contains and integral, reliable, solid state, custom ASIC.

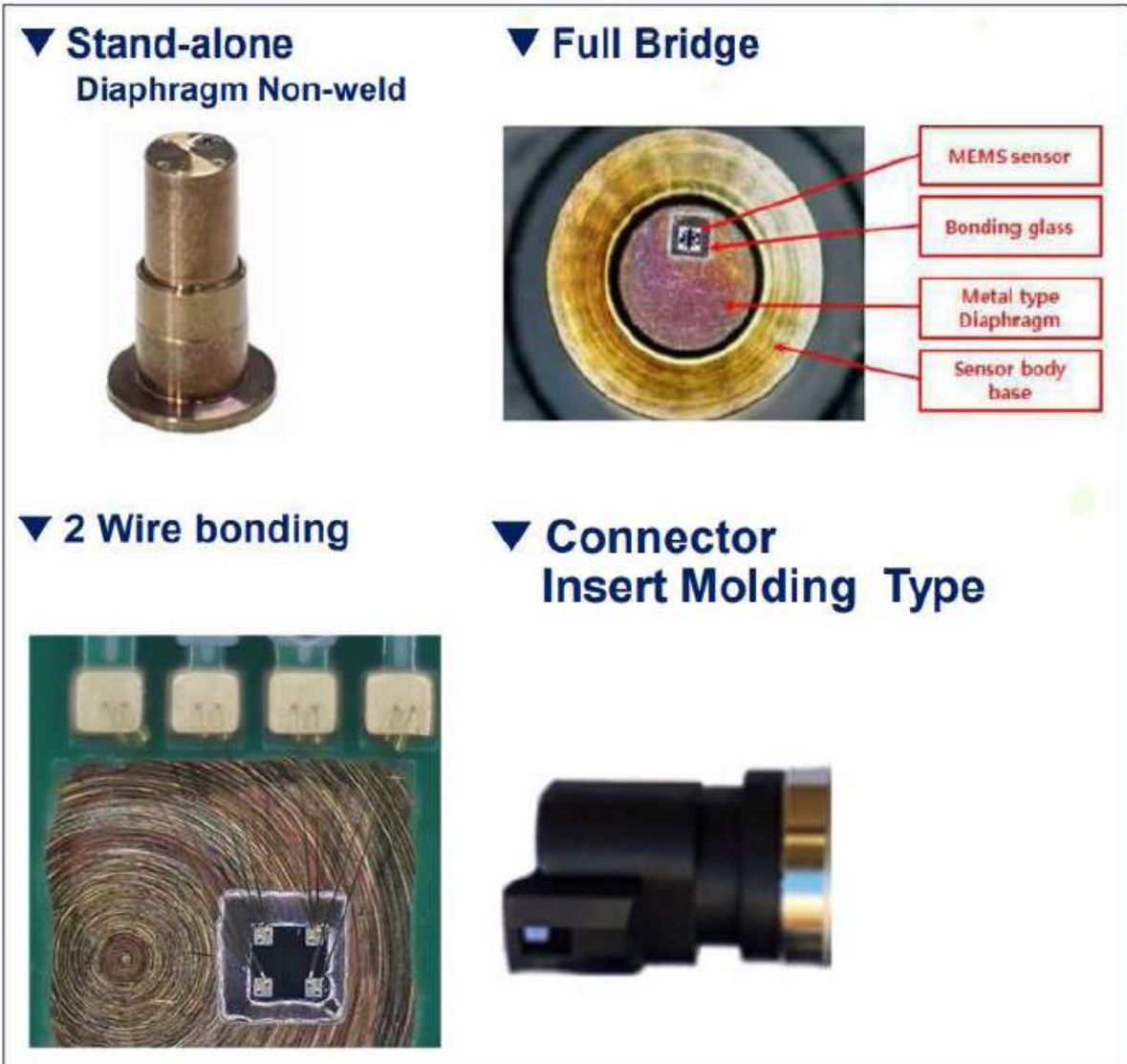
### APPLICATIONS

- ✓ Pneumatic and Hydraulic controls
- ✓ Pump and Compressors
- ✓ Refrigeration units
- ✓ Agricultural technology
- ✓ Energy and Water Management
- ✓ Environmental control systems

### PERFORMANCE SPECIFICATIONS

PARAMETERS	Current (2-Wire)	Voltage (3-Wire)
Output	4~20mA	0.5~4.5V, 1~5V, 0~10V
Power Supply	5VDC, 8~30VDC	
Electric Connection	Deutsch, Packard, M12, DIN43650C, Fixed Cable, Etc. [Option]	
Pressure Range	-1...0 ~ 1000bar, Etc. [Option]	
Operating Temp. Range	-40 to 125°C	
Compensated Temp. Range	-20 to 80°C	
Accuracy	≤±0.5%F.S [Typical/25°C]	
Total Error band	≤±1.5%F.S [Typical/25°C]	
Hysteresis and repeatability	≤±0.1%F.S [Typical/25°C] / ≤±0.15%F.S [Typical/25°C]	
Pressure Port	G1/4, G1/2, R(PT)1/4, R(PT)1/2, 7/16-20UNF(Fe), Etc. [Option]	
Wetted Port material	STS630	
Body / Pressure Port material	STS316 / STS303 Electrolytic Polishing	
Electric connection material	PA66+GF30 gold plated Pin	
Enclosure	IP67	
Over Pressure / Burst Pressure	2xF.S. / 5xF.S.	
Response time 10~90%	≤2ms	
Withstand voltage	500V AC (1minutes between case and all terminals tied)	
Insulation resistance	Greater than 100MΩ (20V DC between case and all terminals tied)	
Mechanical life cycle	5,000,000/cycle	
Circuit protection	Reverse polarity protected. (Power supply +/-)	
Shock proof	1000m/s <sup>2</sup> (6ms or less, X,Y,Z 3times for each at constant temp.)	
Vibration proof	200m/s <sup>2</sup> (10~1000Hz, Y:4h, Z:2h at constant temp.)	
Pressure medium	Non-corrosive medium(Air, Water, Oil, Gas)	
Sensor element	Full Bridge MEMS of metal diaphragm	
Weight	0.05kg (DIN43650- C type)	

## MEMS Sensor & Diaphragm



- Compact design
- Designed for use in OEM applications
- Various connector colors available
- Provides a high level output
- Long term stability
- Micro silicone metal sensor
- MEMS part "Full bridge"
- Gold cup & gold spring connection structure
- 2 Wire bonding
- EMC Safety function protection
- Reverse voltage protection circuit

# PRESSURE TRANSDUCER

[Analog output Type]

## Pressure Sensor



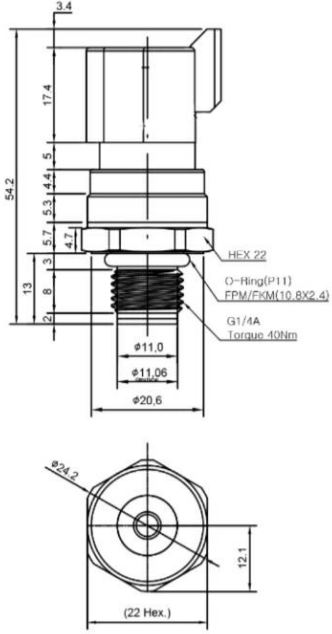
## Port Connections

Pressure Connections	G1/4A	G1/4A	M14X1.5	9/16-18 UNF(M)
	ISO 1179/DIN3852-E Oring ( P11)	ISO 1179-2 ED seal(DIN3869)	ISO 9974-2 ED Seal(DIN3869)	ISO11926-2/3 Oring(3-906)
	Torque 40 Nm	Torque 40 Nm	Torque 35Nm	Torque 30 Nm
Pressure Connections	G3/8A	R(PT)1/8	R(PT)1/4	7/16-20 UNF(Fe)
	ISO 1179/DIN3852-E Oring ( P14)	DIN 2999-Rc(Japan: PT)	DIN 2999-Rc(Japan: PT)	ISO11926-2/3
	Torque 70 Nm	2-3 Turns	2-3 Turns	Torque 18 Nm

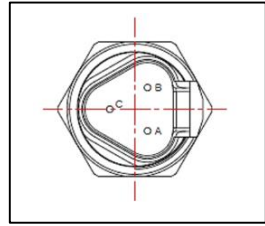
## DIMENSIONS

Dimensions (mm)

### Deutsch DT04-3P

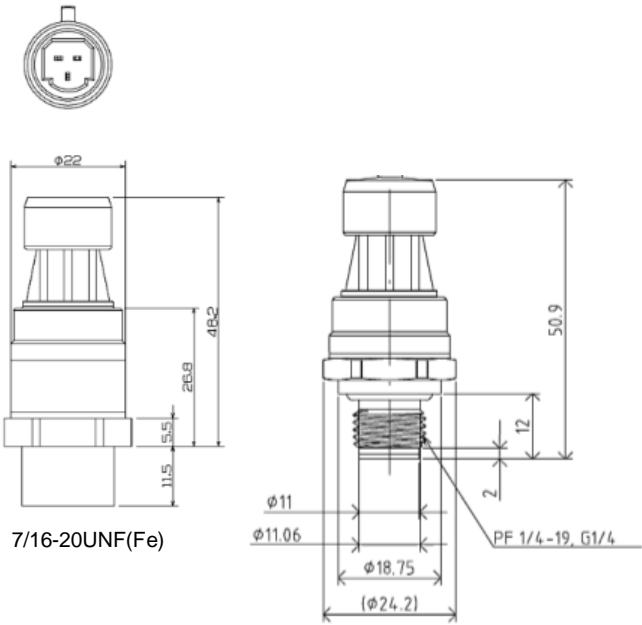


### ELECTRONICAL CONNECTIONS

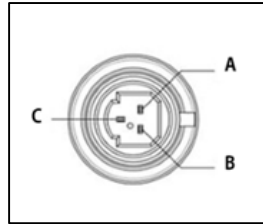


Output signal	Current	Voltage
A	Power(+)	Power(+)
B	NC	Output
C	Power(-)	GND

### ROUND Packard Metri-Pack



### ELECTRONICAL CONNECTIONS

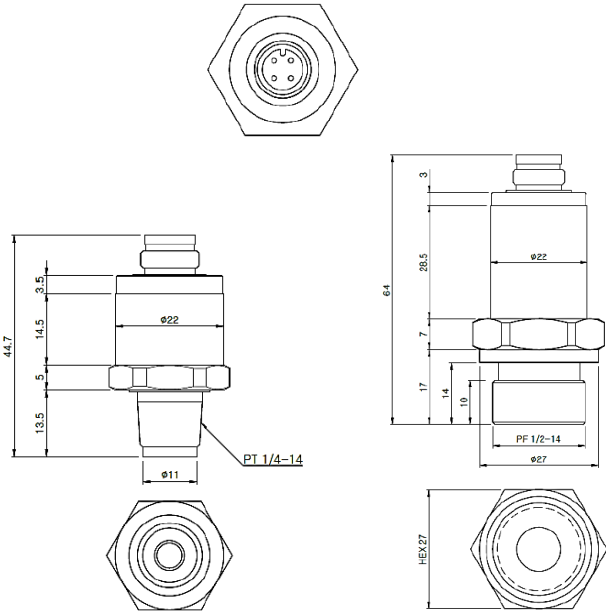


Output signal	Current	Voltage
A	Power(-)	GND
B	Power(+)	Power(+)
C	NC	Output

## DIMENSIONS

Dimensions (mm)

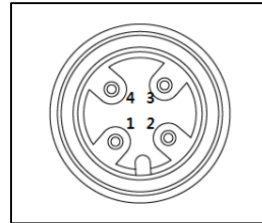
### M12\*1.0P (C or CM types)



C. High pressure  
(-1 ~ 1, 3, 10...1000bar)

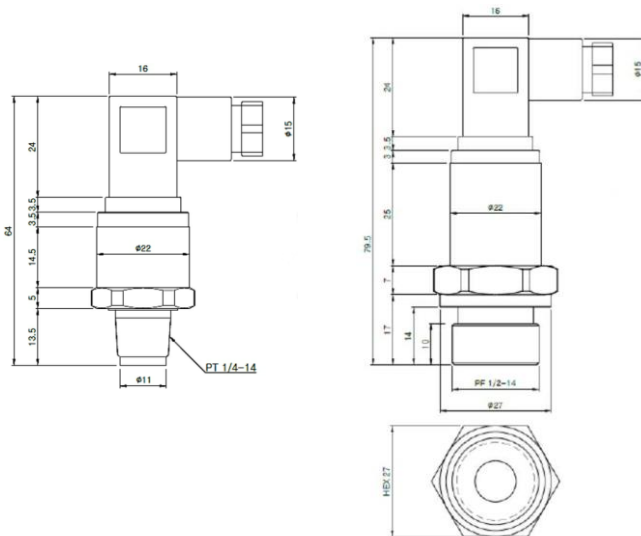
CM. Low pressure  
(-1 ~ 0.1...1bar)

### ELECTRONICAL CONNECTIONS



Output signal	Current	Voltage
1	Power(+)	Power(+)
2	NC	Output
3	Power(-)	GND
4	NC	NC

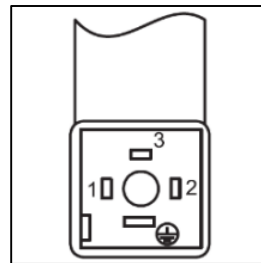
### DIN43650-C (D or DM types)



D. High pressure  
(-1 ~ 1, 3, 10...1000bar)

DM. Low pressure  
(-1 ~ 0.1...1bar)

### ELECTRONICAL CONNECTIONS

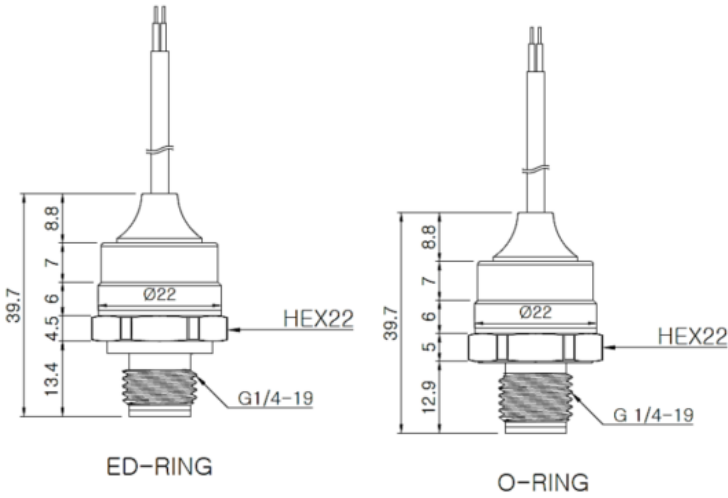


Output signal	Current	Voltage
1	Power(+)	Power(+)
2	Power(-)	GND
3	NC	Output
PE		

## DIMENSIONS

Dimensions (mm)

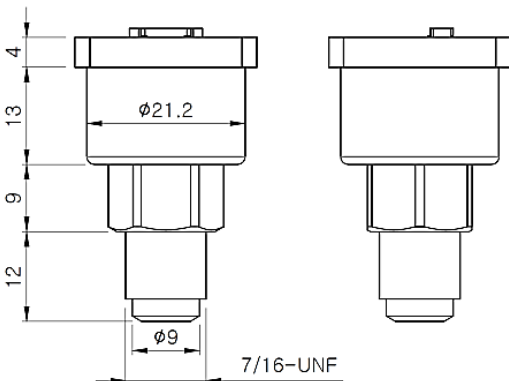
### Fixed Cable



### ELECTRONICAL CONNECTIONS

Ouput signal	Current	Voltage
RED	Power(+)	Power(+)
GREEN	NC	Output
BLACK	Power(-)	GND

### Fixed Harness



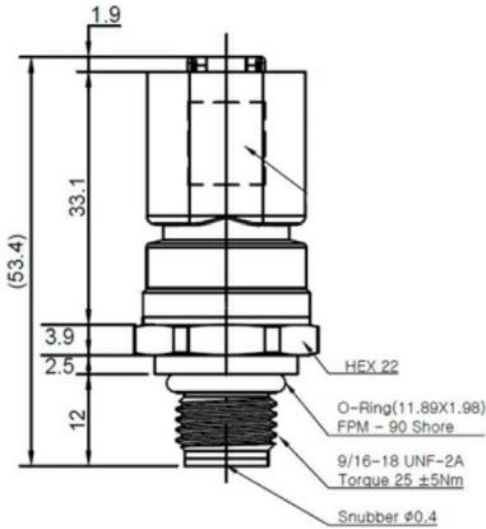
### ELECTRONICAL CONNECTIONS

Ouput signal	Current	Voltage
1	Power(+)	Power(+)
2	Power(-)	Output
3	NC	GND

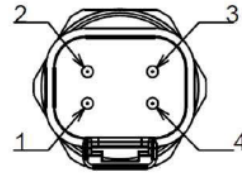
## DIMENSIONS

Dimensions (mm)

### Deutsch DT04-4P

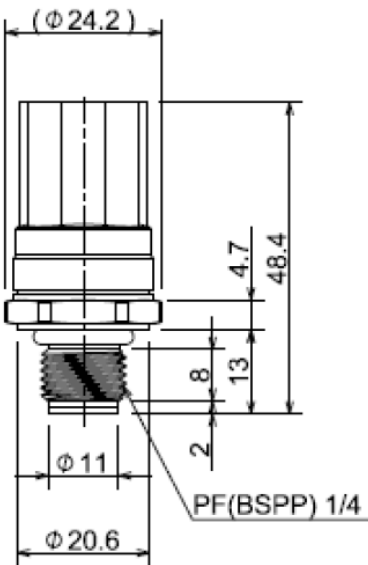


### ELECTRONICAL CONNECTIONS

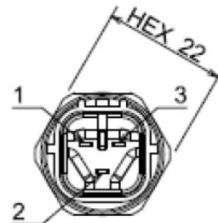


Output signal	Voltage
1	GND
2	Power(+)
3	NC
4	Output

### HW090 6181-0072



### ELECTRONICAL CONNECTIONS

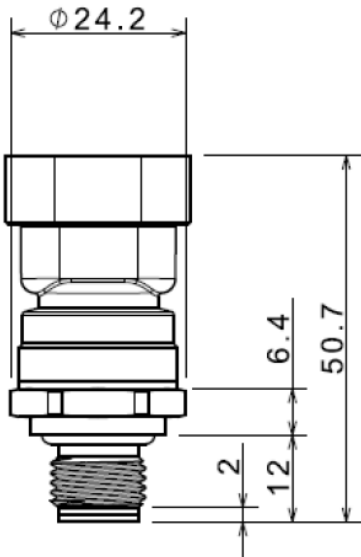


Output signal	Voltage
1	GND
2	Output
3	Power(+)

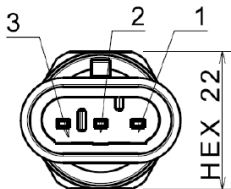
## DIMENSIONS

### Dimensions (mm)

#### Superseal series 1.5



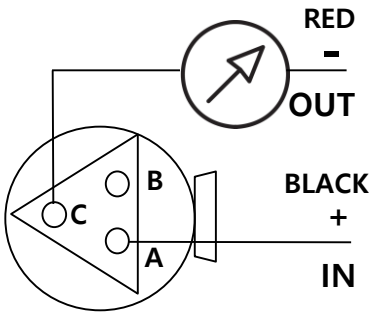
#### ELECTRONICAL CONNECTIONS



Output signal	Voltage
1	GND
2	Power(+)
3	NC
4	Output

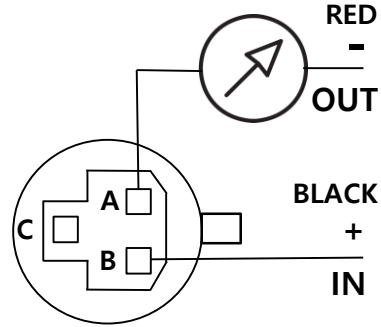


## Current Output(2-Wire)



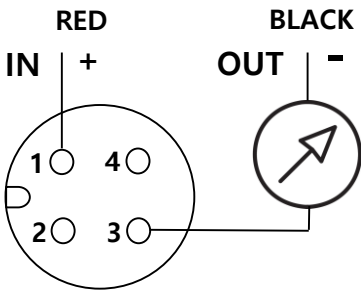
A(IN) C(OUT)

Deutsch DT04-03P



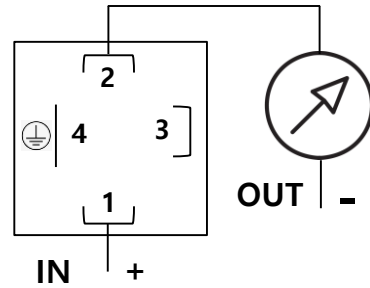
B(IN) A(OUT)

Packard



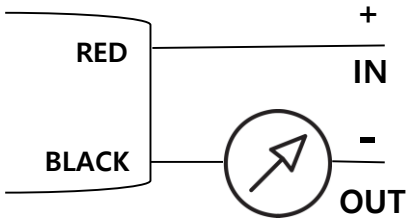
1(IN) 3(OUT)

M12\*1.0P



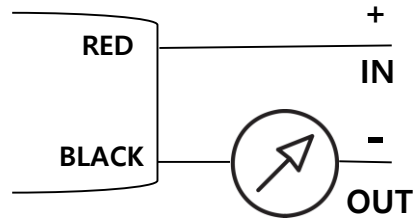
1(IN) 2(OUT)

DIN43650C



RED(IN) BLACK(OUT)

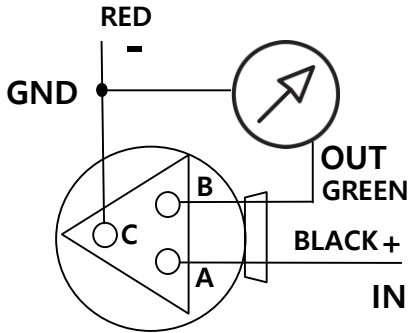
Fixed Cable



RED(IN) BLACK(OUT)

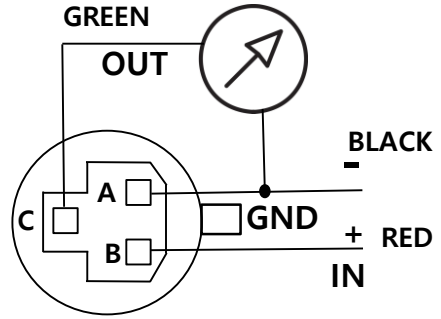
Fixed Harness

## Voltage Output(3-Wire)



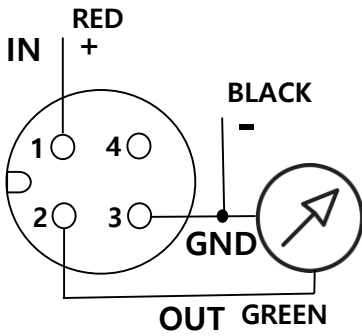
A(IN) B(OUT) C(GND)

Deutsch DT04-03P



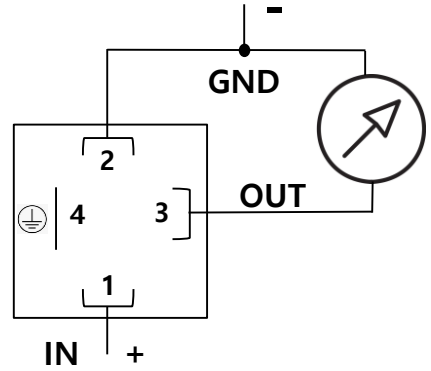
B(IN) C(OUT) A(GND)

Packard



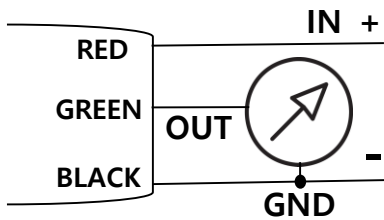
1(IN) 2(OUT) 3(GND)

M12\*1.0P



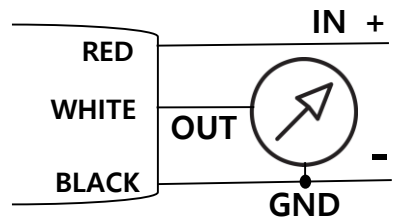
1(IN) 3(OUT) 2(GND)

DIN43650C



RED(IN) GREEN(OUT) BLACK(GND)

Fixed Cable



RED(IN) WHITE(OUT) BLACK(GND)

Fixed Harness

## Ordering Information

# A2410D-133G

①② ③④⑤⑥

1. Power Supply	
0	8~30VDC
1	5VDC

2. Connection	
A	Deutsch DT04-3P
B	Packard Metri-Pack
C	M12*1.0P (C or CM)
D	DIN43650C (D or DM)
E	Fixed Cable
F	Deutsch DT04-4P
G	HW090 6181-0072
H	Superseal series 1.5
I	Other

3. Output	
1	4~20mA
2	0~5V
3	0.5~4.5V
4	1~5V
5	0~10V

4. Pressure Port	
1	G(PF)1/4
2	G(PF)1/2
3	R(PT)1/4
4	R(PT)1/2
5	9/16-18 UNF(M)
6	7/16-20 UNF(Fe)
7	7/16-20 UNF(M)
8	Other

5. Pressure Range	
V	± 250mb
W	± 500mb
X	± 250mmH2O
Y	± 500mmH2O
Z	0~1000mmH2O
1	-1~15bar
2	-1~35bar
3	0~10bar
4	0~16bar
5	0~20bar
6	0~25bar
7	0~30bar
8	0~35bar
9	0~50bar
A	0~100bar
B	0~200bar
C	0~250bar
D	0~500bar
E	Other

6. Pressure Type	
G	Gage
A	Absolute

## Cable accessories

Type	Description
Cable with ROUND Packard Metri-Pack mating connector	1m with outer sheath
Cable with ROUND Packard Metri-Pack mating connector	2m with outer sheath
Cable with ROUND Packard Metri-Pack mating connector	3m with outer sheath
Cable with M12*1-4P mating connector	1m with outer sheath
Cable with M12*1-4P mating connector	2m with outer sheath
Cable with M12*1-4P mating connector	3m with outer sheath
Cable with Deutsch(DT04-3P) mating connector	1m
Cable with Deutsch(DT04-3P) mating connector	2m
Cable with Deutsch(DT04-3P) mating connector	3m
Fixed Cable	1m with outer sheath
Fixed Cable	2m with outer sheath
Fixed Cable	3m with outer sheath



Head Office : B-722, 236, Jubuto-ro, Bupyeong-gu, Incheon, Republic of Korea, 21330  
 Factory : 236, Jubuto-ro, Bupyeong-gu, Incheon, Republic of Korea, 21330  
[www.a1company.co.kr](http://www.a1company.co.kr), +82 32 624 1021, [june@a1company.co.kr](mailto:june@a1company.co.kr)

All information, including but not limited to product selection and application, product design, dimensions or other technical data in product manuals, catalogs, etc., whether provided electronically, verbally, online, or by download, is considered informational. It is only binding if explicitly stated in the quotation or order. A1Electronics is not responsible for errors in catalogs and other materials. A1Electronics reserves the right to change products without prior notice. This also applies to products ordered but not delivered, and changes may be made without review of suitability and functionality. All trademarks in this material are the property of A1Electronics. A1Electronics and 2S Superb Sensor are trademarks of A1Electronics. All rights reserved.