

P-350

Compact Pressure Transmitter

Analog output

- -1 to 1...500bar
- Dry/Wet media
- Superior Long term Stability
- Temperature Compensated
- Linear Amplified Output
- Excellent Repeatability & Hysteresis
- EMI/RFI Protection

P-350 series Long term minimization of these errors is maintained after millions of full scale overpressure cycles, making electronic set point virtually drift-free. Use of ceramic materials in the sensing element and its mounting provides excellent resistance to most liquids and chemicals. Ruggedness and reliability are also enhanced by a stainless steel housing to resist corrosion pressure sealing for media compatibility is provided by selection of welding Sealing type. metal sensing element contains and integral, reliable, solid state, custom hybrid circuit signal conditioner. This circuit is digital interface can be used for a simple PC-controlled calibration procedure, in order to program a set of calibration coefficients into an on-chip EEPROM and without the cost overhead associated with trimming by external devices or a laser.



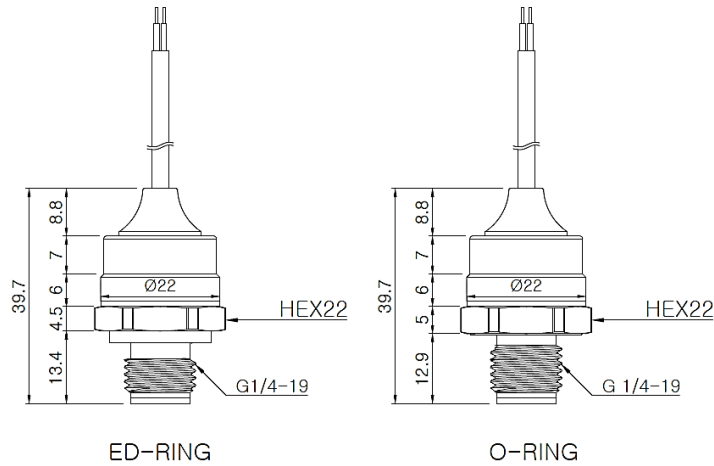
P-350 Series

TYPICAL APPLICATIONS

- ✓ Process control
- ✓ Pneumatic and hydraulic controls
- ✓ Pump and compressors
- ✓ Agricultural technology
- ✓ Environmental control systems

General SPEC			
Characteristic	P-350(A)	P-350(V)	P-350(HV)
Output	4~20mA	0.5~4.5V / 0~5V / 1~5V	0~10V
Power Supply	8~30VDC	12~36VDC	
Electric connection	Packard Metri Pack Cable Type		
Pressure Range	-1~10...500 [bar] and Option.		
Operating Temp. Range	-40 to 125°C		
Compensated Temp. Range	-20 to 80°C		
Accuracy	≤ ±0.5%F.S [Typical/25°C]		
Total Error band	±1.5 %F.S [Typical] / ±2.0 %F.S [MAX]		
Hysteresis and repeatability	±0.1 %F.S [Typical] / ±0.15%F.S [MAX]		
Process connection	G1/4" and Option.		
Wetted Port material	STS630		
Body material	STS316 / STS303		
Electric connection material	PA66 + GF30 gold plated Pin		
Enclosure	IP67		
Over Pressure / Burst Pressure	2 x F.S. / 10 x F.S.		
Response time 10~90%	≤2ms		
Withstand voltage	500V AC (1minutes between case and all terminals tied)		
Insulation resistance	Greater than 100MΩ (20V DC between case and all terminals tied)		
Mechanical life cycle	1,000,000/cycle		
Circuit protection	Reverse polarity protected. (Power supply +/-)		
Shock proof	1000m/s ² (6ms or less, X, Y, Z 3times for each at constant temp.)		
Vibration proof	200m/s ² (10~2000Hz, X:4h, Y:2h, Z:2h at constant temp.)		

Dimensions (mm)



※ Other on request

Description

ELECTRONICAL CONNECTIONS;

Model	P-350	
	P-350(V),(HV)	P-350(A)
RED	VDC	Power(+)
GREEN	OUT	NC
BLACK	GND	Power(-)

How to order

P - 350		<input type="checkbox"/>	<input type="checkbox"/>	<input type="checkbox"/>	<input type="checkbox"/>	<input type="checkbox"/>
1) Output signal						
4~20mA	A					
0~5V	V0					
1~5V	V1					
0.5~4.5V	V2					
0~10V	HV					
2) Pressure range						
-1~10...500 [bar] and request	----- request					
3) Process connection						
G1/4" (PF1/4") O-ring	----- G4OR					
G1/4" (PF1/4") ED-ring	----- G4ED					
Other on request	----- request					
4) Supply Voltage						
5 VDC	----- 5					
12 VDC	----- 12					
24 VDC	----- 24					
Other on request	----- request					
5) Seal material						
NBR	----- N					
Viton	----- V					
Other on request	----- request					