

P-950

Pressure Transducer

Hex22, Deutsch connector

- Provides a high level output
- Superior Long term Stability
- Temperature Compensated
- Linear Amplified Output
- Excellent Repeatability & Hysteresis
- EMI/RFI Protection

P-950 Long term minimization of these errors is maintained after millions of full scale overpressure cycles, making electronic set point virtually drift-free. Use the sensing element or silicon MEMS strain gage elements glass bonded to stainless steel diaphragm and its mounting provides excellent resistance to most liquids and chemicals. Ruggedness and reliability are also enhanced by a stainless steel housing to resist corrosion pressure sealing for media compatibility is provided by selection of Non-welding Sealing type. metal sensing element contains and integral, reliable, solid state, custom ASIC. This circuit is digital interface can be used for a simple PC-controlled calibration procedure, in order to program a set of calibration coefficients into an on-chip EEPROM and without the cost overhead.

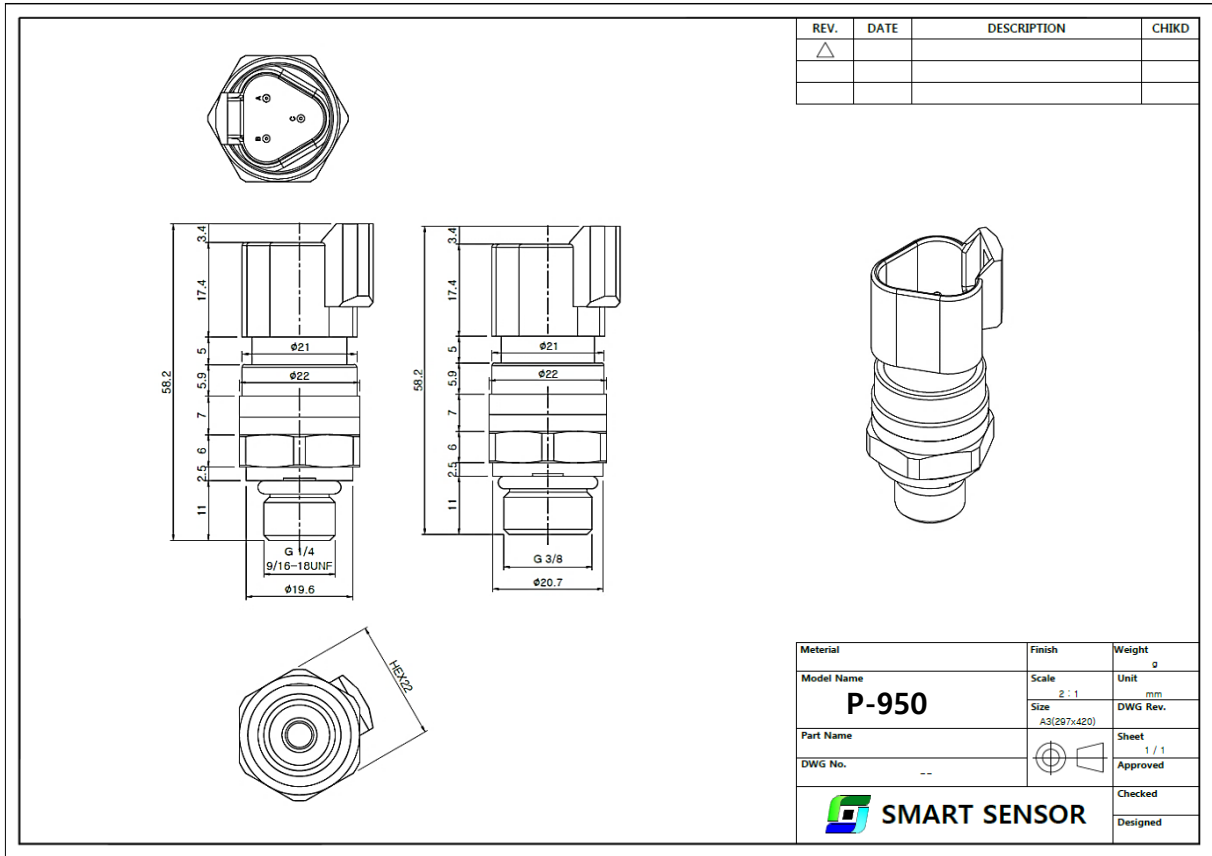


TYPICAL APPLICATIONS

- ✓ Process control
- ✓ Pneumatic and hydraulic controls
- ✓ Pump and compressors
- ✓ Agricultural technology
- ✓ Environmental control systems

General SPEC		
Characteristic	P-950A	P-950V
Output	4~20mA	0.5~4.5V / 0~5V / 1~5V
Power Supply	8~30VDC	5V, 8~30VDC
Electric connection	Hex22, Deutsch connector	
Pressure Range	0~50 / 0~100 / 0~200 / 0~250 / 0~400 / 0~500 [bar]	
Operating Temp. Range	-40 to 125°C	
Compensated Temp. Range	-20 to 80°C	
Accuracy	≤ ±0.5%F.S [Typical/25°C]	
Total Error band	±1.5 %F.S [Typical] / ±2.0 %F.S [MAX]	
Hysteresis and repeatability	±0.1 %F.S [Typical] / ±0.15%F.S [MAX]	
Process connection	R1/4" , G1/4" , 9/16-18UNF, G3/8"	
Wetted Port material	STS630	
Body material	STS316 / STS303	
Electric connection material	PA66 + GF30 gold plated Pin	
Enclosure	IP67	
Over Pressure / Burst Pressure	2 x F.S. / 10 x F.S.	
Response time 10~90%	≤2ms	
Withstand voltage	500V AC (1minutes between case and all terminals tied)	
Insulation resistance	Greater than 100MΩ (20V DC between case and all terminals tied)	
Mechanical life cycle	5,000,000/cycle	
Circuit protection	Reverse polarity protected. (Power supply +/-)	
Shock proof	1000m/s ² (6ms or less, X, Y, Z 3times for each at constant temp.)	
Vibration proof	200m/s ² (10~2000Hz, X:4h, Y:2h, Z:2h at constant temp.)	
Weight	45g	

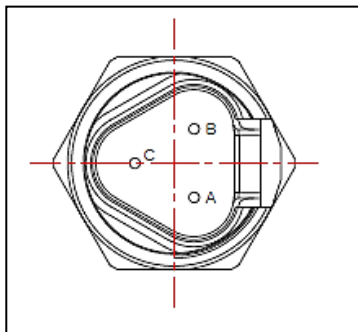
Dimensions (mm)



Description

ELECTRONICAL CONNECTIONS ;

※ Connection type : Deutsch DT04-3



Model	P-950	
Output signal	P-950A	P-950V
A	Power(+)	Power(+)
B	NC	Output
C	Power(-)	GND

How to order

P - 950	<input type="checkbox"/>	<input type="checkbox"/>	<input type="checkbox"/>	<input type="checkbox"/>	<input type="checkbox"/>	<input type="checkbox"/>
1) Output signal						
4~20mA	A					
0~5V	V0					
1~5V	V1					
0.5~4.5V (ratiometric)	V2					
Other on request	Z					
2) Supply Voltage						
5 VDC	-----	5				
8~30 VDC	-----	8				
Other on request	-----	Z				
3) Pressure range						
0 to 50 bar	-----	-----	50			
0 to 100 bar	-----	-----	100			
0 to 200 bar	-----	-----	200			
0 to 250 bar	-----	-----	250			
0 to 400 bar	-----	-----	400			
0 to 500 bar	-----	-----	500			
Other on request	-----	-----	Z			
4) Process connection						
R1/4" (PT1/4")	-----	-----	-----	R4		
G1/4" (PF1/4")	-----	-----	-----	G4		
G3/8" (PF3/8")	-----	-----	-----	G8		
9/16-18UNF	-----	-----	-----	U		
Other on request	-----	-----	-----	Z		
5) Seal material						
Silicone	-----	-----	-----	-----	S	
NBR	-----	-----	-----	-----	N	
Viton	-----	-----	-----	-----	V	
Other on request	-----	-----	-----	-----	Z	