

DP-100

Digital Differential Pressure Transmitter

- Pressure Range 0 to 300...2,000Pa / $\pm 300... \pm 2,000$ Pa
- Accuracy $\pm 0.5\%$ F.S.(at 25°C)
- Ambient Temp range -10 ~ 70 °C
- Zero temperature effect ± 0.2 F.S./°C
- Sensor Analog Output 4~20mA , 2-wire
- With Mounting bracket

DP-100 Model is for digital differential pressure transmitter, with analog output to 4~20mA and 2-wire. Typical applications for using airflow measurement and so many control systems.



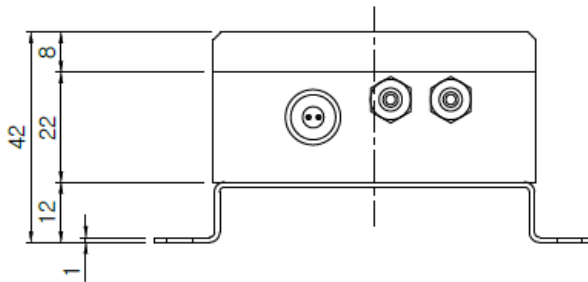
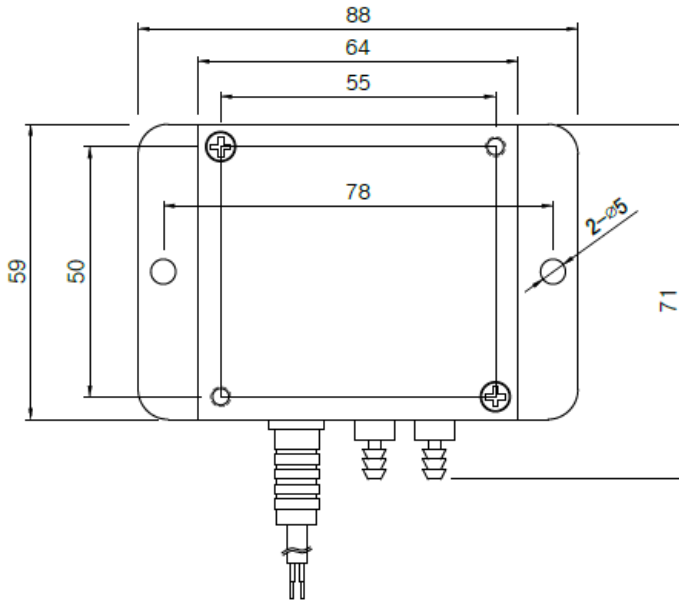
TYPICAL APPLICATIONS

- ✓ Transmissions
- ✓ Airflow measurement
- ✓ Pneumatic and hydraulic controls
- ✓ control system
- ✓ Depth instrumentation

General SPEC

Characteristic	Description
Pressure Range	0 to 300...2,000Pa / $\pm 300... \pm 2,000$ Pa
Excitation	10 to 28VDC
Process Port	1/8" Nipple
Proof Range	x 2 %F.S [MAX]
Burst Range	x 3 %F.S [MAX]
Operating Temp. Range	-10 to 70°C
Compensated Temp. Range	0 to 50°C
Accuracy	$\pm 0.5\%$ F.S [Typical/25°C]
Total Error band	$\pm 1.5\%$ F.S [Typical] / $\pm 2.0\%$ F.S [MAX]
Hysteresis and repeatability	$\pm 0.1\%$ F.S [Typical] / $\pm 0.15\%$ F.S [MAX]
Fix	Mounting bracket
Electric connection	Cable type
Enclosure	IP67
Over Pressure / Burst Pressure	2 x F.S. / 10 x F.S.
Response time 10~90%	≤ 2 ms
Wetted Materials	Brass (Ni Plated)
Shock proof	500m/s ² (6ms or less, X, Y, Z 3times for each at constant temp.)
Vibration proof	50m/s ² (10~500Hz, X:4h, Y:2h, Z:2h at constant temp.)
Weight	Approx. 110g (without mounting bracket)

Dimensions (mm)



ELECTRONICAL CONNECTIONS

Wire color	Description
Red	IP(+)
Black	IP(-)

How to order

DP100



1) Pressure range

0 to 300...2,000 - 0300~2000

±300... ±2,000 + 0300~2000

2) Pressure unit

Pa

mmH₂O

kPa

|

|

|

|

|

|

|

|

A

D

R

EX1) Range 0 to 300Pa
DP100-0300A

EX2) Range -300 to +300Pa
DP100+0300A